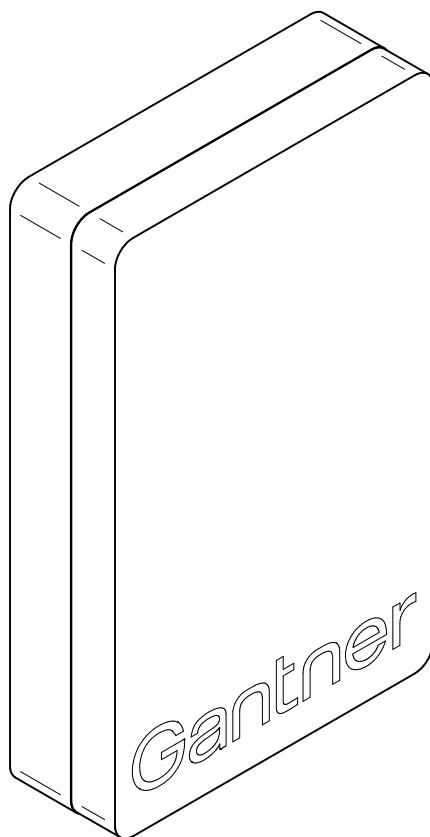
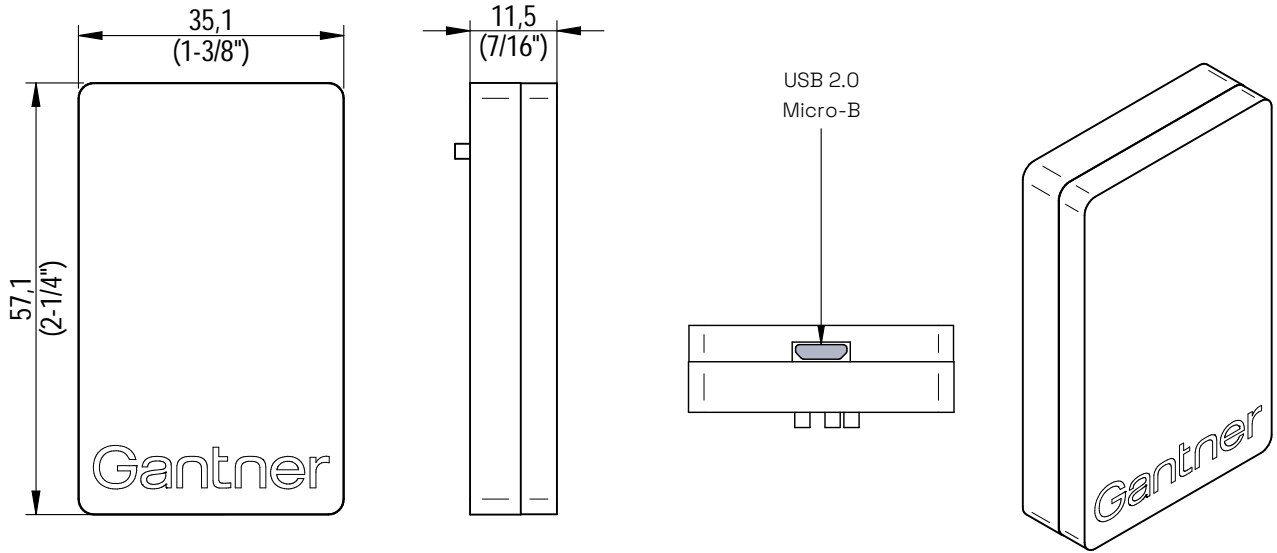


# GAT ECO.EPS 7000

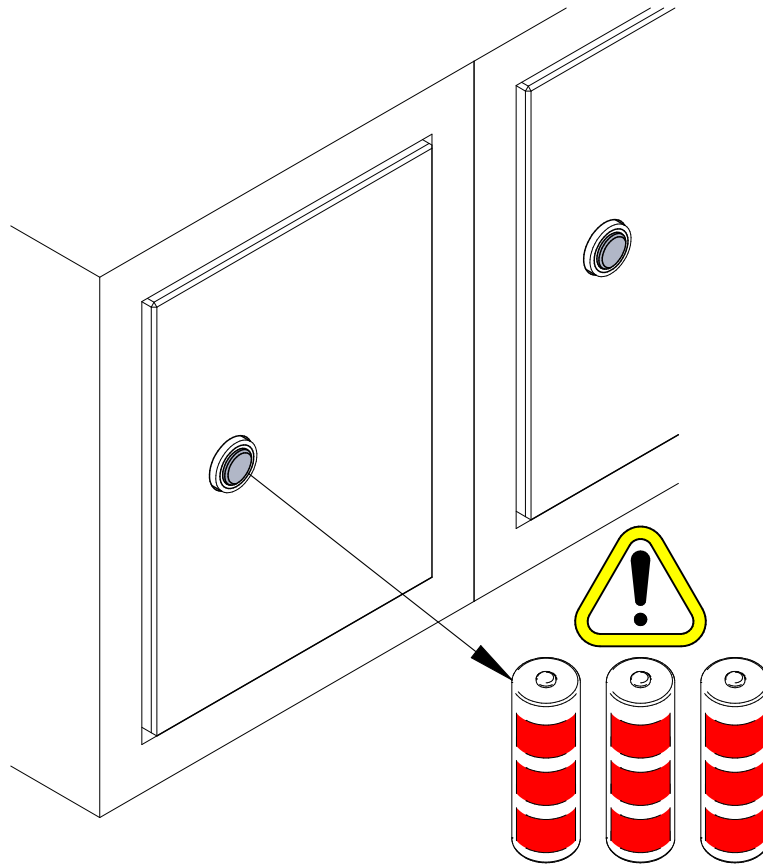


The GAT ECO.EPS 7000 is an emergency power adapter designed for the XS4 Eco.Lock. If the battery in the battery-powered lock becomes completely empty and the corresponding locker is locked, the locker is unable to be opened. The GAT ECO.EPS 7000 in combination with an external USB power source (e.g., USB power pack, USB power supply, PC) is used to temporarily supply the lock with power thereby allowing the locker to be opened with a valid data carrier and the batteries to be exchanged.

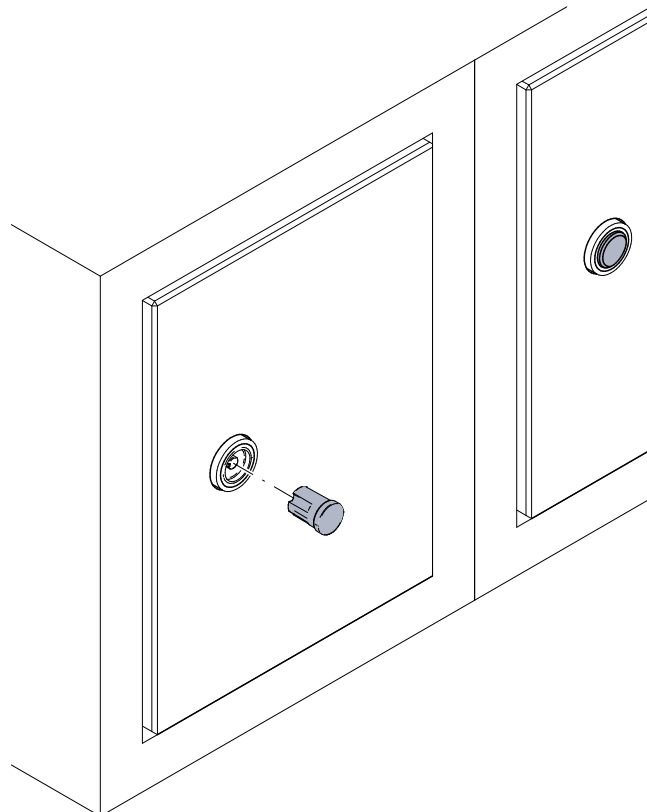
Two contact pins on the GAT ECO.EPS 7000 insert into two holes on the front of the XS4 Eco.Lock to supply power. The adapter includes a LED light near the contact pins that illuminates the relevant area in order to facilitate operation. A LED to indicate the power status is also provided.



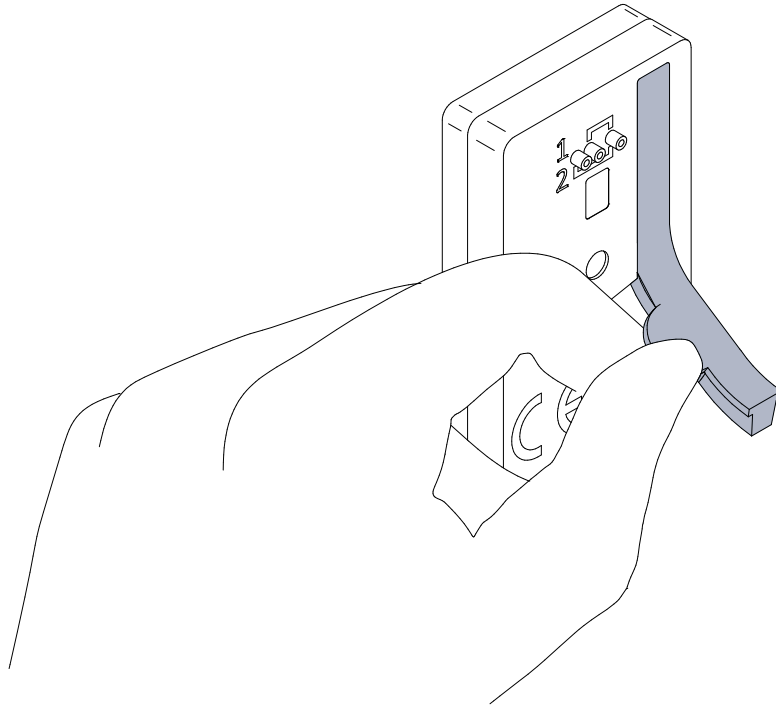
1



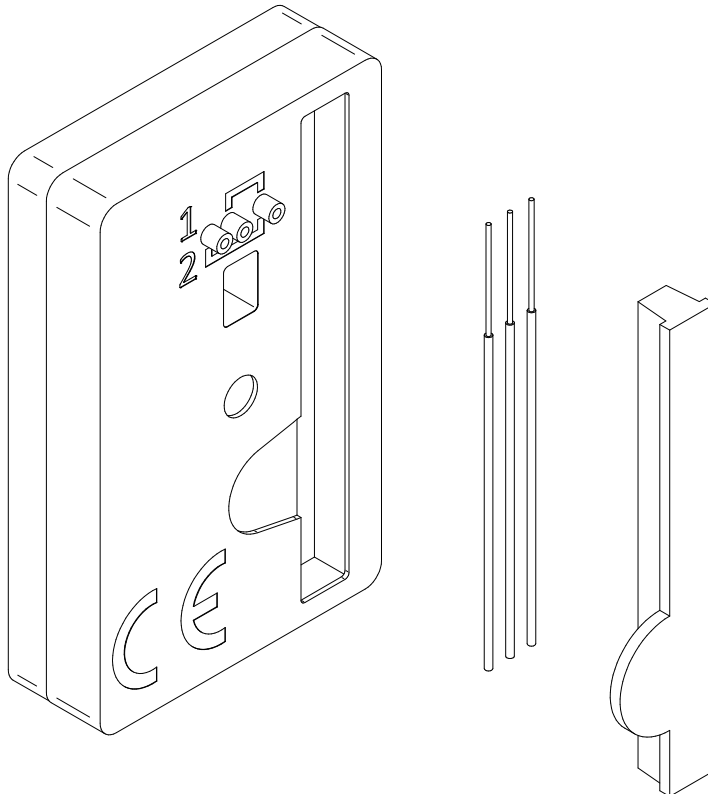
2



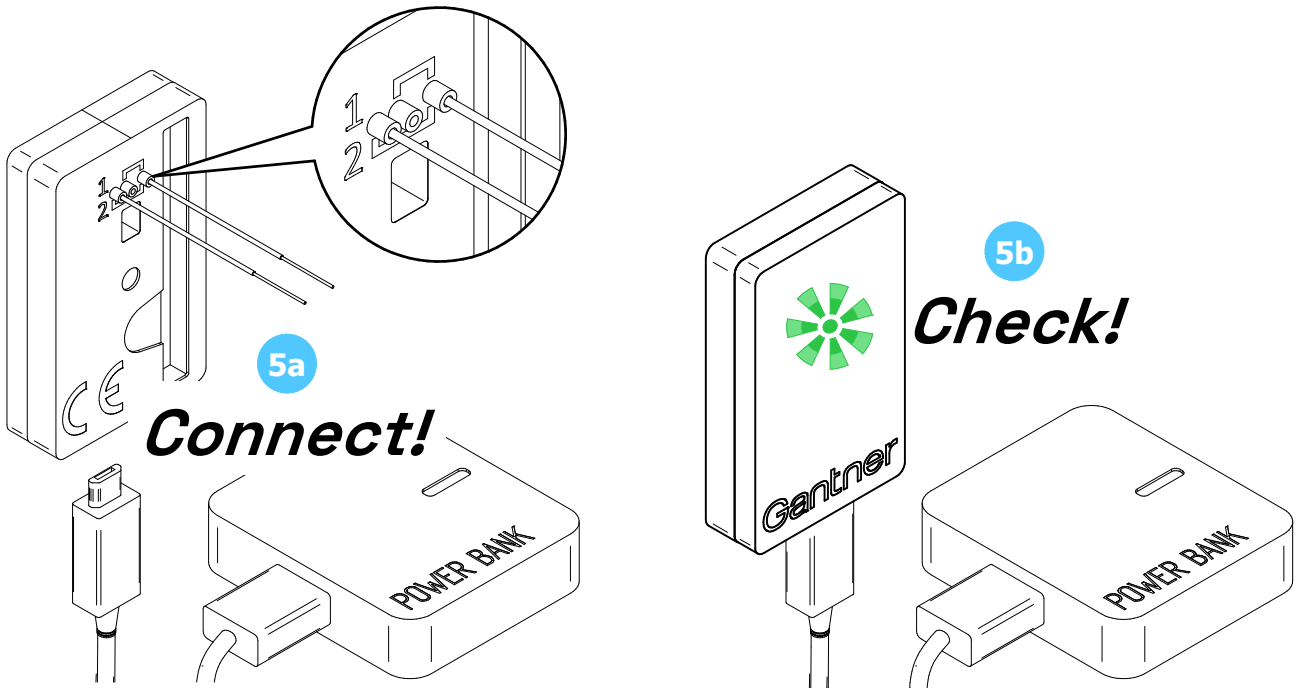
3



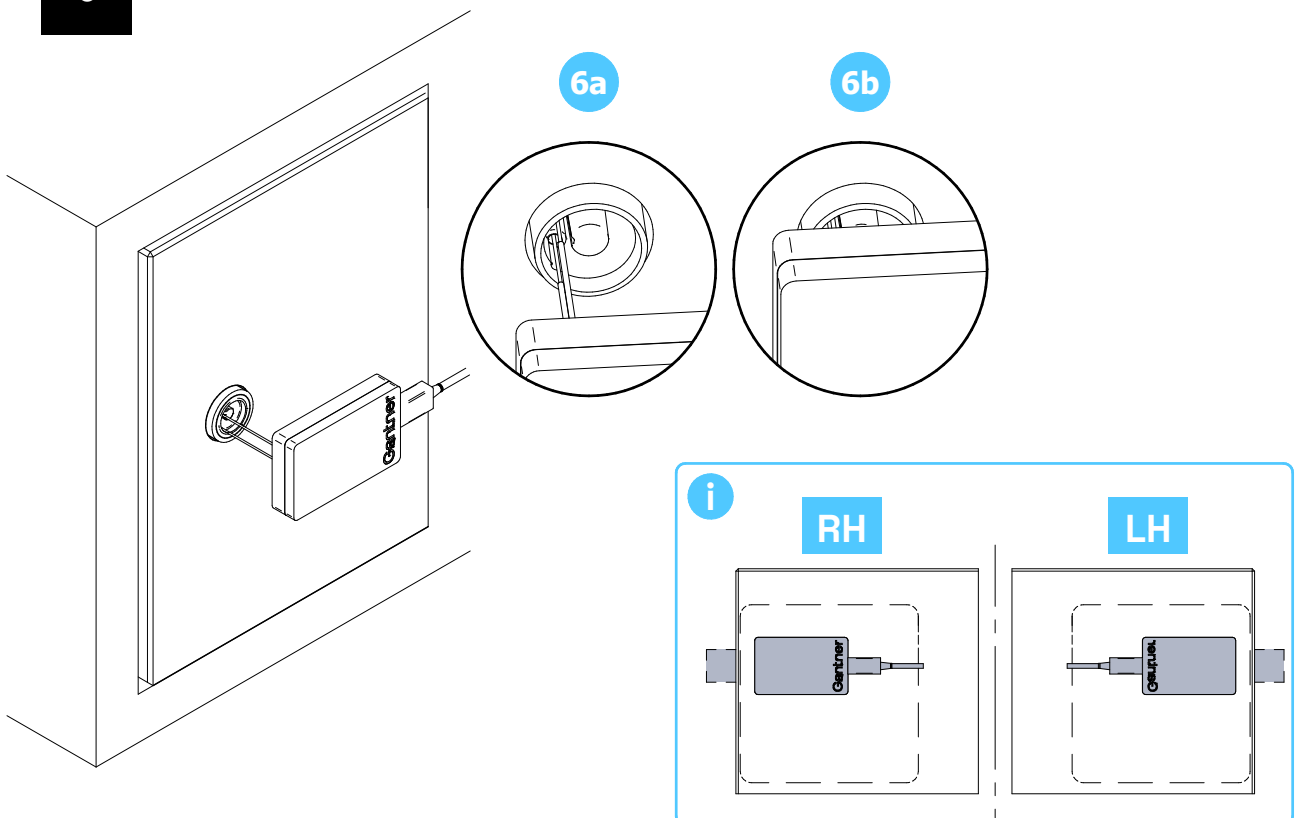
4



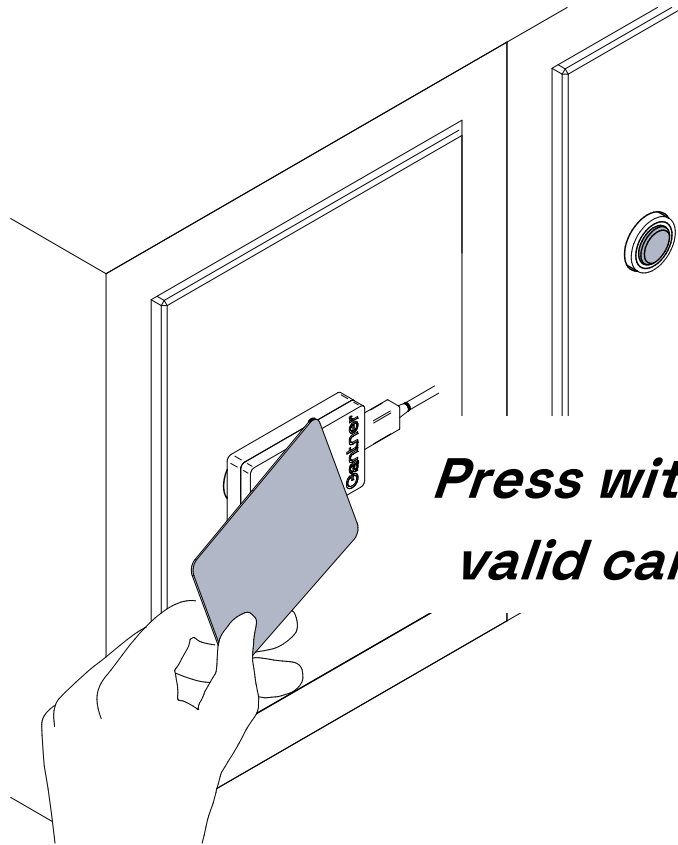
**5**



**6**



7



***Press with a  
valid card!***

8

