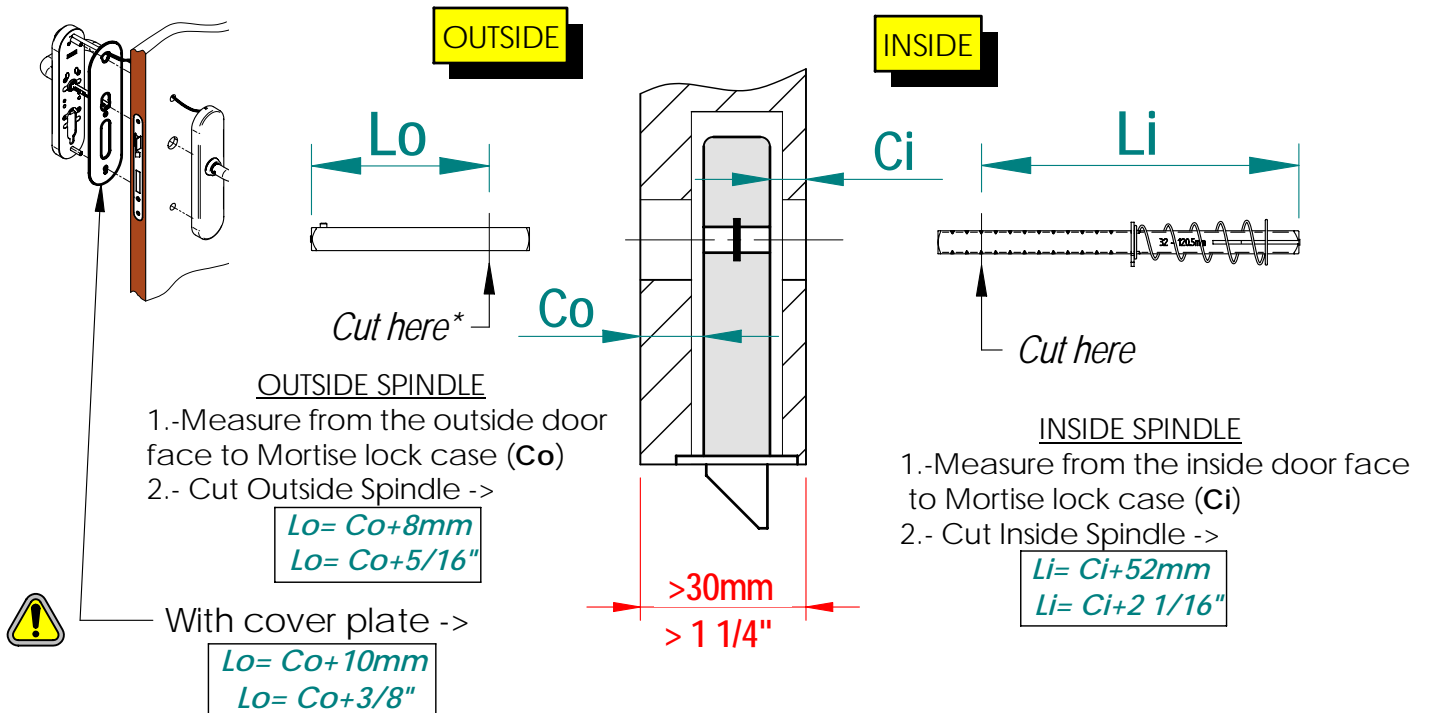


SPINDLES PREPARATION FOR LOCK WITH SPLIT HUB

Only for door thickness from 30 to 120mm (1 1/4" to 4 3/4")(Rebated doors included)

CUT SPINDLES AS FOLLOWS:



*NOTE: This cut for the Outside Spindle must be done with accuracy of $\pm 1mm$